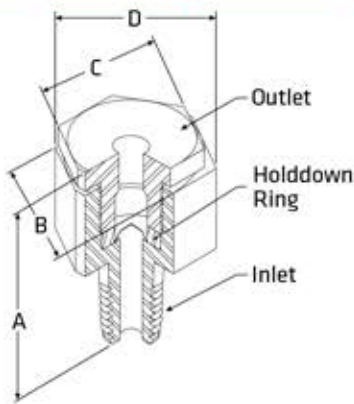
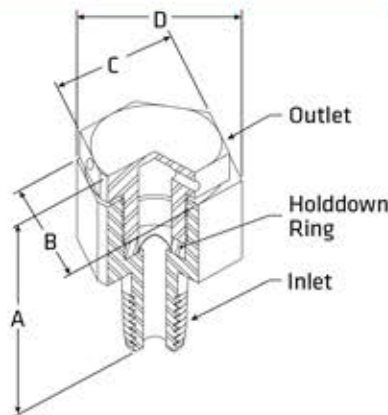


SCREW TYPE HOLDER SPECIFICATIONS

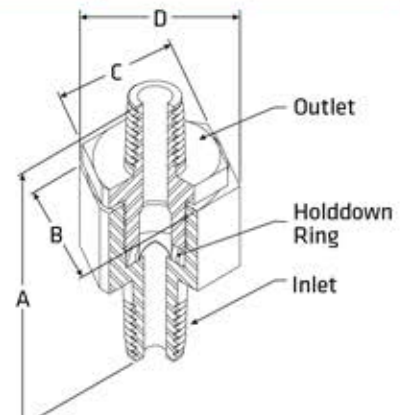
Holder Maximum		Holder Connection		Rupture Disc Size	Seat Design	Height (A) (in/mm)	Dimensions Across Hex Flats		Dimension Across Inlet Corners (D)
Pressure @ 72°F/22°C	Temp	Inlet	Outlet				Inlet (B)	Outlet (C)	
1,000 psig 68,9 barg	400°F 204°C	¼ MPT	Muffled	⅞" / 22,2	FS	2.28 / 57,9	1¼ in 31,8 mm	1⅝ in 28,6 mm	1.44 in 36,6 mm
		⅜ MPT	Muffled	⅞" / 22,2	FS	2.28 / 57,9			
		½ MPT	Muffled	⅞" / 22,2	FS	2.28 / 57,9			
		¾ MPT	½ MPT	⅞" / 22,2	FS	2.81 / 71,4			
		1" MPT	½ MPT	⅞" / 22,2	FS	2.81 / 71,4			
		1½ MPT	½ MPT	⅞" / 22,2	FS	2.81 / 71,4			
		2" MPT	Free	⅞" / 22,2	FS	2.03 / 51,6			
		2½ MPT	Free	⅞" / 22,2	FS	2.19 / 55,6			
3,000 psig 207 barg	1,000°F 538°C	¼ MPT	Muffled	⅞" / 22,2	FS	2.28 / 57,9	1¼ in 31,8 mm	1⅝ in 28,6 mm	1.44 in 36,6 mm
		⅜ MPT	Muffled	⅞" / 22,2	FS	2.28 / 57,9			
		½ MPT	Muffled	⅞" / 22,2	FS	2.28 / 57,9			
		¾ MPT	½ MPT	⅞" / 22,2	FS	2.81 / 71,4			
		1" MPT	½ MPT	⅞" / 22,2	FS	2.81 / 71,4			
		1½ MPT	½ MPT	⅞" / 22,2	FS	2.81 / 71,4			
		2" MPT	Free	⅞" / 22,2	FS	2.03 / 51,6			
		2½ MPT	Free	⅞" / 22,2	FS	2.03 / 51,6			
10,000 psig 689 barg	1,000°F 538°C	¼ MPT	Muffled	½"	FS	2.28 / 57,9	1¼ in 31,8 mm	1⅝ in 28,6 mm	1.44 in 36,6 mm
		⅜ MPT	Muffled	½"	FS	2.28 / 57,9			
		½ MPT	Muffled	½"	FS	2.28 / 57,9			
		¾ MPT	½ MPT	½"	FS	2.81 / 71,4			
		1" MPT	½ MPT	½"	FS	2.81 / 71,4			
		1½ MPT	½ MPT	½"	FS	2.81 / 71,4			
		2" MPT	Free	½"	FS	2.03 / 51,6			
		2½ MPT	Free	½"	FS	2.03 / 51,6			
15,000 psig 1,034 barg	1,000°F 538°C	¼ MPT	½ MPT	½"	HF	2.81 / 71,4	1¼ in 31,8 mm	1⅝ in 28,6 mm	1.44 in 36,6 mm
		½ MPT	½ MPT	½"	HF	2.81 / 71,4			
		¾ MPT	Muffled	½"	HF	2.34 / 59,4			
		1" MPT	Muffled	½"	HF	2.34 / 59,4			



Free Outlet Assembly



Muffled Outlet Assembly



Threaded Outlet Assembly